

Instructions for assembly tetra quick release Spox wheels

NB! This accessory is only compatible with standard Spox wheels if you have the 'Plastic sideguard' or no sideguard at all on your chair.

How to assemble the Tetra quick release on your Spox wheels:

1. Start by tightening the attachment piece (1) around the spokes of the wheels using straps (8). You should use 4 straps per wheel. Thread the straps through the 8 smaller holes on the attachment piece, not in the large hole in the centre. (See figures 1 and 2).
2. Cut off the extra material from the straps using scissors.
3. Assemble the locking plate (2), the bolt (3), the washers (4 and 5), the nut (6) and the spring (7) into the large hole in the centre, as shown in the diagram in figure 3.
4. Then try to loosen the wheel from the chair. Do this by pushing in the heightening section on the locking plate (2) towards the centre of the wheel hub, and lock the plate around a spoke. See figure 1.
5. When the locking plate is fixed in place around a spoke you will be able to remove the wheel from the chair. See figure 1.
6. To replace the wheel again, put it back on the chair in the usual way ensuring that the locking plate has been loosened around the wheel spokes. It will then be impossible to pull the wheel out. See figure 2.
7. Take care to make sure that the locking plate is in unlocked position when you use the chair, otherwise the wheel can detach from the chair. See figure 2.



Figure 1. Locked position –the wheel can now be removed. The locking plate is attached around a spoke.



Figure 2. Unlocked position – now the wheel cannot be removed.

Tetra Q-R Spox comp. set 480 00 05

contains (see figure 3):

1.	2 st	Tetra Q-R Spox Alu plate	480 00 03
2.	2 st	Tetra Q-R Spox steel plate	480 00 02
3.	2 st	Bolt MLC6S M5x35	600 25 35
4.	2 st	Washer 5,3x10x1	800 05 10
5.	2 st	Washer M5x16x1	800 05 16
6.	2 st	Lock nut M5	700 00 50
7.	2 st	Spring tetra Q-R	480 00 10
8.	8 st	Strapps	900 00 45

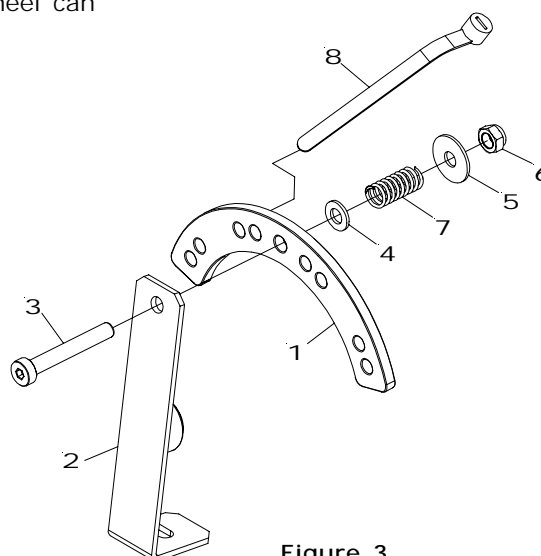


Figure 3.